

Current Transformers (Moulded Type)



Features

- Ratings from 100 to 800A
- 5A secondary current
- Built in sealable terminal covers

Specification

Overload	1.2 x rated current (continuous)
Rated system voltage	0.72/3kV
Frequency	50/60Hz
Ambient:	
Humidity	Up to 95% RH (non-condensing)
Temperature	-30°C to +85°C
Conformity:	
BS7626	
IEC185	
BSEN 60044-1	
IEC 60044-1	
Country of origin	UK

Product Codes

PM-CT-M100	100A Moulded case current transformer
PM-CT-M150	150A Moulded case current transformer
PM-CT-M200	200A Moulded case current transformer
PM-CT-M250	250A Moulded case current transformer
PM-CT-M300	300A Moulded case current transformer
PM-CT-M400	400A Moulded case current transformer
PM-CT-M500	500A Moulded case current transformer
PM-CT-M600	600A Moulded case current transformer
PM-CT-M800	800A Moulded case current transformer

Technical Overview

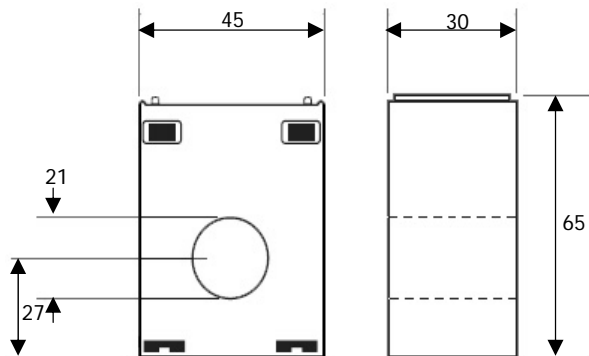
The PM-CT-M range of moulded case type current transformers are for use with Sontay's PM-850 kWh meter and other suitable equipment. They are also supplied with a Din rail clip.

Class Rating

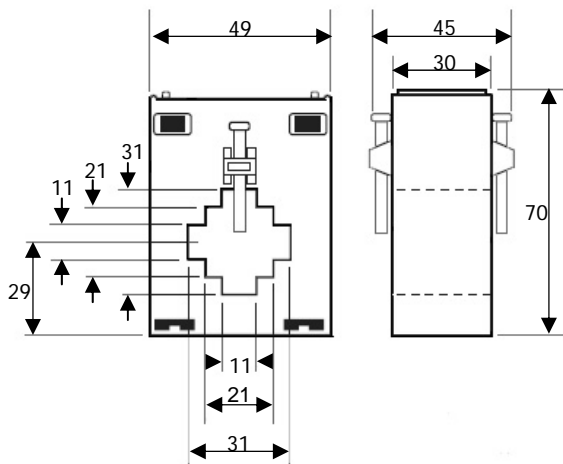
	Primary Current (A)	Rating (VA) Class 3
PM-CT-M100	100	2.5
PM-CT-M150	150	2.5
PM-CT-M200	200	5
PM-CT-M250	250	5
PM-CT-M300	300	5
PM-CT-M400	400	5
PM-CT-M500	500	10
PM-CT-M600	600	10
PM-CT-M800	800	10

Dimensions (mm)

PM-CT-M100, PM-CT-M150 & PM-CT-M200:



PM-CT-M250, PM-CT-M-300 & PM-CT-M400:



Dimensions (mm (continued))

PM-CT-M500, PM-CT-M600 & PM-CT-M800:

